

Ultra-Secua User Guide

mcgrathlocks.com.au



Download and Install the APP

Enable your smart phone to scan QR code to download the APP. Also you can search "TT Lock" on APP store or Google play to download the APP.

SETTING VIA LOCK

It is strongly recommended to use the TTLock APP, however you may follow the programming instructions below to configure the lock manually.

CREATE NEW ACCESS

Add administrator (only 1)



- Enter *12#
- Input 123456# (the default code)
- Input new code#
- Repeat new code#

Tips: If you use the APP a 4 digit Admin code can be set. To change the APP Admin through keypad press 83# + admin code#. Now a new admin can be set via the APP.

Add a new user with an access / pin code (250 maximum)



- Enter *80#
- Input admin code#
- Input user code# (6-9 digits)
- Repeat new user code#

Tips: If you use the APP a 4 digit user code can be set.

Add a new user with an RFID card (1000 maximum)



- Enter *80#
- Input admin code#
- Present the card to the card sensor area

MODIFY CODE

Modify admin code



- Enter *12#
- Input old admin code#
- Input new admin code#
- Repeat the new admin code#

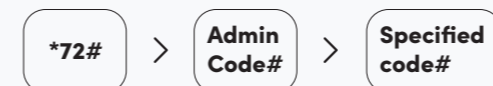
Modify user code



- Enter *10#
- Input old user code#
- Input new user code#
- Repeat the new user code#

DELETE USER

Delete specified pin code



Tips: The admin code cannot be deleted.

- Enter *72#
- Input the specified code# that you wanted to delete

Delete all user codes



- Enter *71#
- Input admin code#

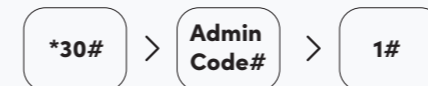
Delete all RFID cards



- Enter *69#
- Input admin code#

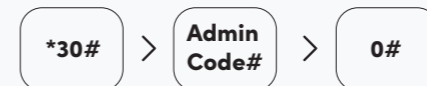
MANAGE VOICE

Turn on the lock voice



- Enter *30#
- Input admin code#
- Input 1#

Turn off the lock voice



- Enter *30#
- Input admin code#
- Input 0#

RESET THE LOCK

Press and hold the reset button until you hear "please input initialization passcode" then input 000#. All pin codes, cards and APP users will be deleted.

DEMO MODE

Demo mode is turned off by default prior to an Admin code being registered. If you wish to turn on demo mode input 24679#. Demo mode sets the lock access pin code to 123456# and any card or fingerprint will also open it. Registering an Administrator will take the lock out of demo mode.

LOW BATTERY ALERT

When battery power is less than 4.8V you will hear a low battery alert each time you wake the lock screen. Please replace batteries with new Alkaline type. Don't mix old and new batteries.

SCRAMBLING CODE FOR ANTI PEEP

Users may enter any random digits before or/and at the end of entering their correct pin code and still gain access. This feature makes it harder for an unauthorised user who may be watching you to guess your pin code.

INCORRECT CODE / CARD ALERT

If the wrong unlocking information is inputted five times the system will be locked out for 35 seconds. The lock can only be operated by the APP during the lockout period.

PASSAGE MODE

Passage mode keeps the door unlocked, useful when gardening or bringing in groceries from the car etc.



To activate passage mode, enter a valid unlock code then press 123# within 5 seconds. The door will remain unlocked.



To remove from passage mode, unlock using a valid code or card. If you engage passage mode via the APP you must use the APP to disengage passage mode.

FAQs

Keypad on lock does not respond

- Please check the batteries are installed correctly.
- If the lock had been working OK please replace the batteries with new AA Alkaline type.

The door will not lock

- Ensure the lock is not in demo mode.
- Check to see if the lock is in passage mode.
- Refer to installation guide to ensure the triangle on the lock hub is correctly aligned.

Battery performance is poor.

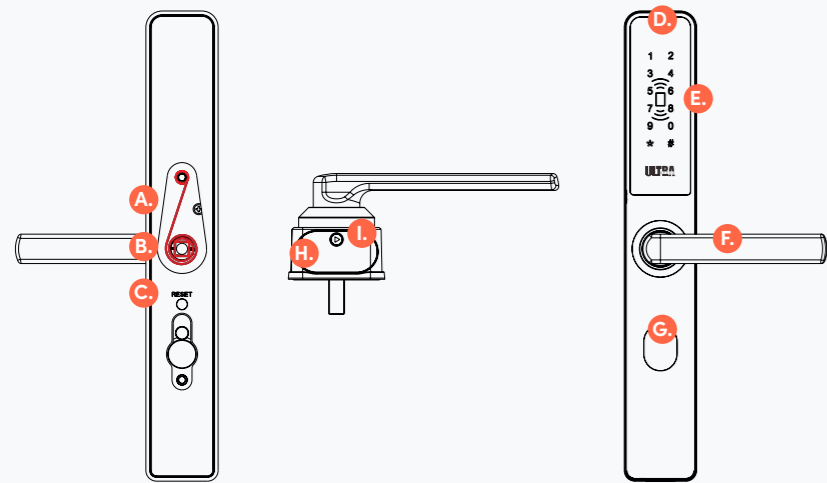
- Ensure all batteries are new Alkaline type.
- Ensure the lock connecting cable is not pinched.
- Check for and update lock firmware.

Ultra-Secua Installation Guide

Exploded diagram

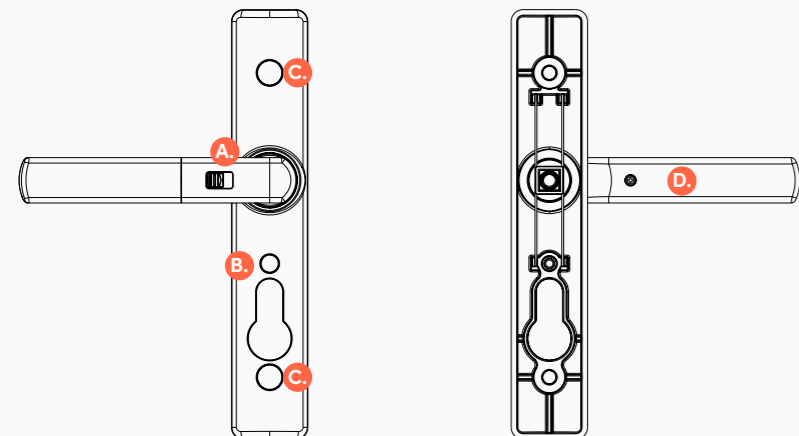
Exterior Lock Diagram

- A. Spindle spring
- B. Spindle base
- C. Reset button
- D. Keypad
- E. Card region
- F. Handle
- G. Emergency mechanical key
- H. Battery cover
- I. Triangular recessed screw



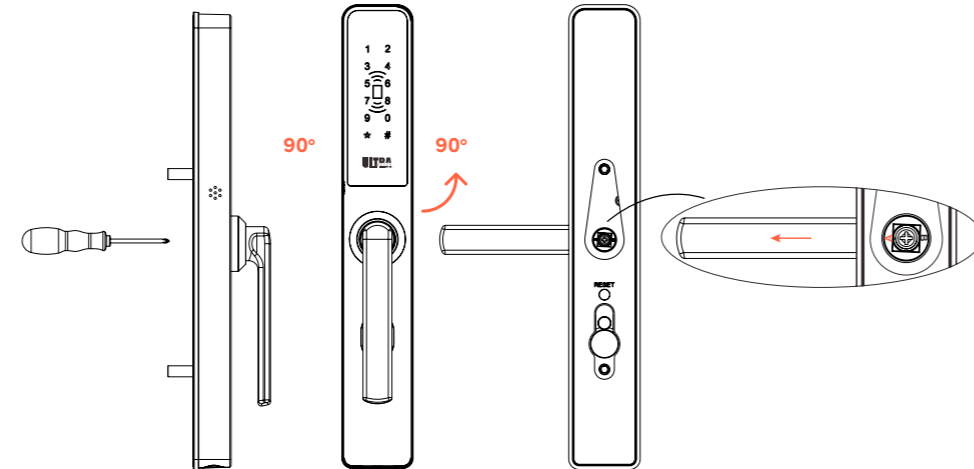
Interior Lock Diagram

- A. Slide button
- B. Reset button hole
- C. Screw hole rubber plug
- D. Handle



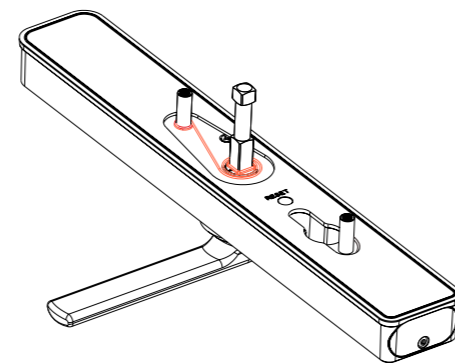
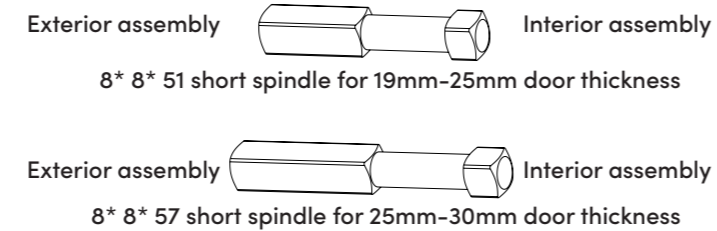
1. Adjust the handle direction

The smart door lock is suitable for left hand and right hand opening door. As showed in figure, with the screwdriver, loosen the inside screw, rotate the handle 90° to left/right, then tighten the screw.



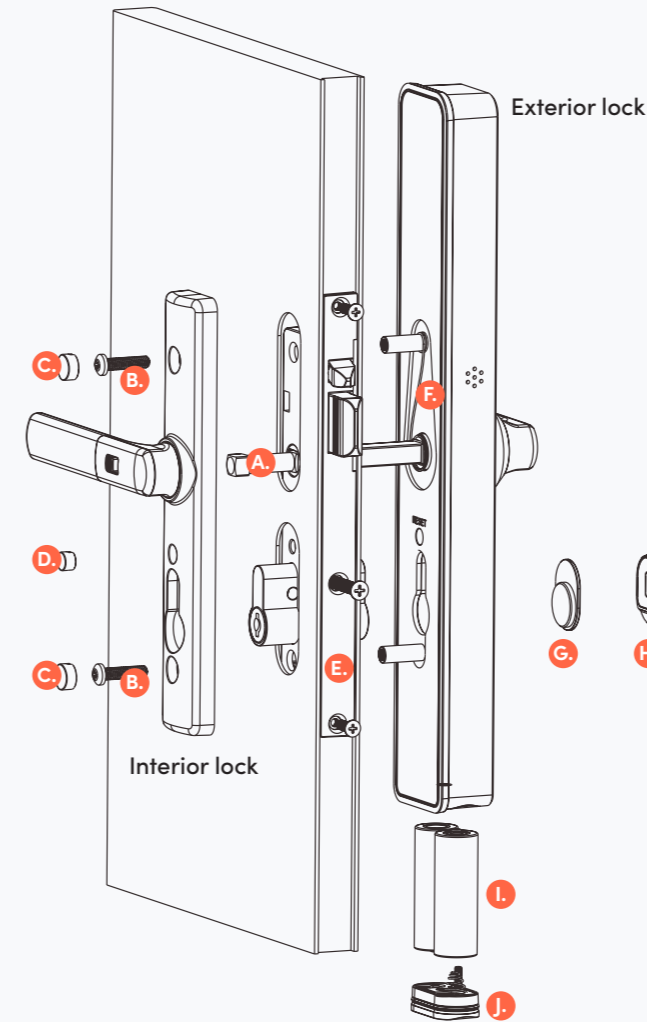
2. Install the spindle

- A. First select the suitable spindle according to the door thickness.
- B. Install the spindle through spindle spring as showed in figure.



3. Installation steps

- A. First install the mortice lock in the door cutout and fit the strike plate to the frame.
- B. Install cylinder and fix the with supplied screw.
- C. Install the exterior and interior assembly, tighten the two fixing screws, then fit the rubber plugs in the screw holes.



- A. Spindle
- B. Fixing screw
- C. Screw hole rubber plug
- D. Reset button hole rubber plug
- E. Lockcase
- F. Spindle spring
- G. Key cover rubber
- H. Key cover
- I. Batteries
- J. Battery cover

Accessories

Single or multi point hinge security or screen door lock

Note: Some existing triple lock kits top and bottom locks, including the plastic adaptor need to be reversed. This allows the triple kit to be locked from the inside by lifting the Ultra-Secua interior handle upwards.

Standard Multi Point Kit

